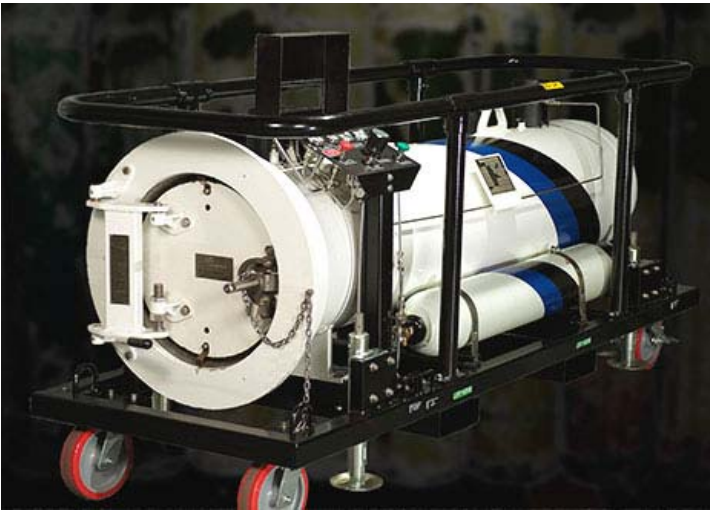


# ECO HP-15 Transport Overpack



The ECO HP-15 is a DOT-exempt salvage cylinder for transport or storage of leaking, damaged, or deteriorated compressed gas cylinders. Fabricated of carbon steel to ASME Section VIII Lethal Service standards, the vessel is rated to 1480 psig, enabling it to safely contain virtually all sizes of commercial cylinders up to pressurizes of 2500 psig. Gases inside the salvage cylinder can be withdrawn via a valve and either directed to an appropriate scrubber or repackaged. The ECO HP-15 can be safely used for cylinders and other containers up to 15 inches in diameter, can be licensed for use with a specialized cylinder penetrator system, is available with a small cylinder adapter, and can serve as a small-scale chemical reactor. All handling functions are designed for use by personnel dressed out in full chemical protective gear. The unit is particularly useful in first response situations where immediate action is required or in situations where it is necessary to move a leaking or deteriorated cylinder without risking an uncontrolled gas release.

## Features

## Benefits

DOT-Exempt for all Class 2,3,6.1 Materials\*

Rapid-Closure Bandlok® Hatch

High Working Pressure 1,480 psig

Low-Profile Internal Cylinder Guide Tracks

On-Board Nitrogen Supply

Cylinder Loading Platform Integrated With Frame

Full-Featured Monitoring and Control Interface

Easy to Use, Adjustable Cylinder Blocking Plate

Liquid Drainage Port

Gas Treatment Connection Port

Protective Handrail/Frame With Forklift Sleeves

Rugged, Easy-Rolling Solid Wheels

Built-in Transport Stabilizer and Tie-Down System

Protective Cover

Permits Legal Transportation of Wide Range of Chemicals

Seals and Secures Cylinder Inside Overpack with One Motion

Safely Accepts Full-Size Cylinders up to 2,500 psig

Accepts Cylinders up to 15" Diameter

High Volume, Self-Contained Purge Gas Reservoir

Rapid, Simple, and Safe Cylinder Loading

Easy, Accessible Control for all Overpack Functions

Stabilizes Cylinders Inside Overpack With One-Hand Operation

Easy Removal of Liquefied Gas or Wash-Out Reagent

Routes Internal Atmosphere to Sampling/Treatment System

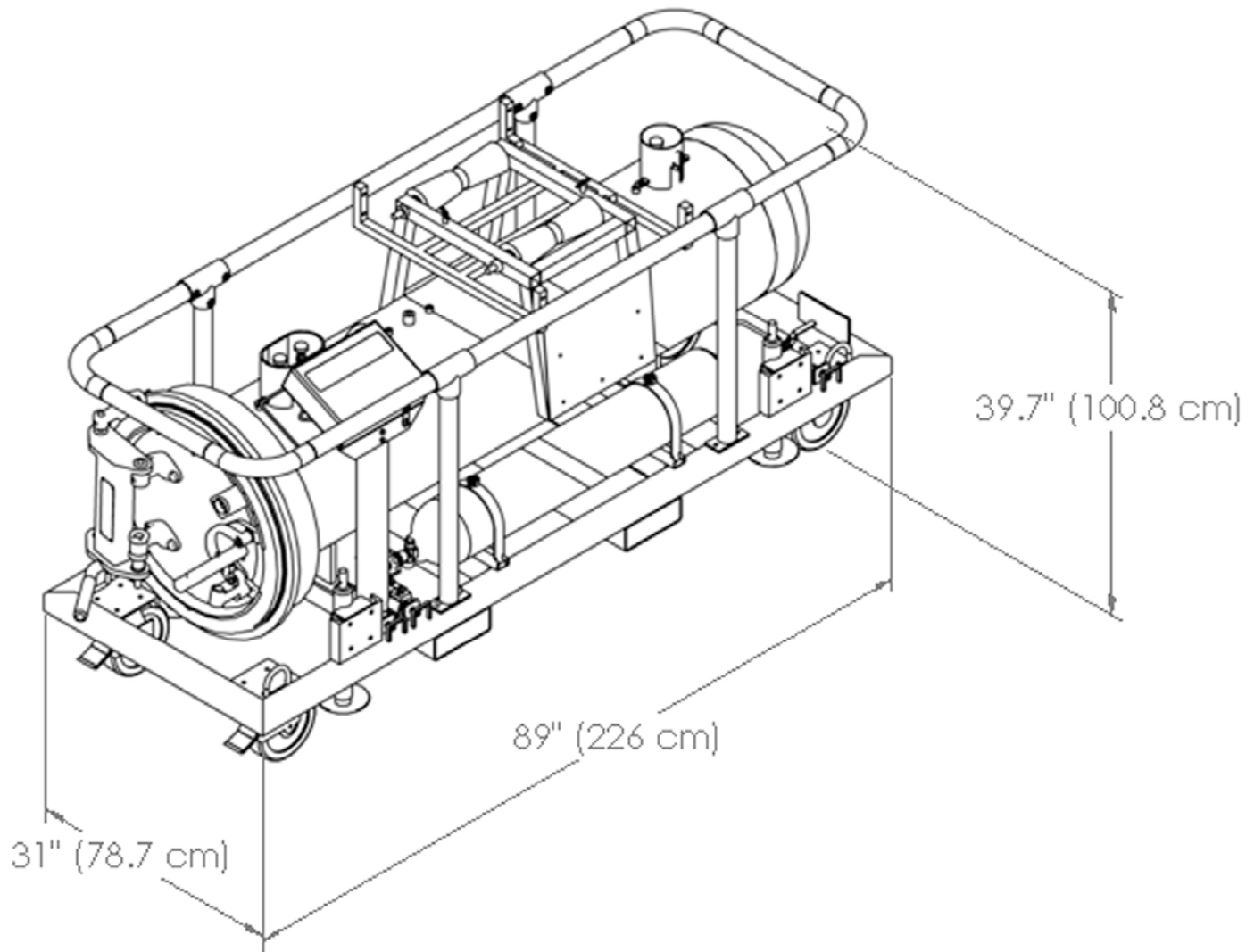
Permits Maneuvering From All Sides/Protects Piping and Valves

Easy, 2-Person Movement Over Hard Surfaces

Minimizes Need For Special Transport Pallets

Protects System From Dust and Water During Storage

\*except acetylene



## Pressure Vessel Specifications

Overall Length 86" (2.184 m)

Working Pressure 1480 psig" (102 bar)

Internal Volume 9.3 ft<sup>3</sup> (0.26 m<sup>3</sup>)

Diameter (ext) 18" (457 mm)

Hydrotest Pressure 1924 psig" (133 bar)

Weight 1,700 lbs (771 kg)



1445 Marietta Boulevard  
Atlanta, GA 30318

PHONE 404 693 8388

FAX 404 352-3070

EMAIL [info@precisiontechnik.com](mailto:info@precisiontechnik.com)

[www.precisiontechnik.com](http://www.precisiontechnik.com)