

ECO LP-6 Transport Overpack



The ECO LP-6 is a DOT-exempt salvage cylinder for transport or storage of leaking, damaged, or deteriorated compressed gas cylinders. The unit was designed to address the special transport needs of smaller cylinders containing specialty and semi-conductor gases. Fabricated of carbon steel to ASME Section VIII Division 1 standards, the vessel has a working pressure of 510 psig. Gases released inside the salvage cylinder can be withdrawn via a side valve or bottom drain and either directed to an appropriate scrubber or repackaged. The ECO LP-6 vessel weighs only 65 pounds and is mounted on a wheeled cart to facilitate its movement. It can be used for routine, secure transport of cylinders containing hazardous gases or in emergency response situations which demand rapid containment of a leaking or deteriorated cylinder.

Features

Benefits

DOT-Exempt for all Class 2,3,6.1 Materials*

Permits Legal Transportation of Wide Range of Chemi-

Rapid-Use, T-Bolt Closure

Seals and Secures Cylinder Inside Overpack Quickly

Working Pressure: 510 psig

Safely Accepts Cylinders up to 5.5 " Diameter

Weight: 65 pounds (vessel)

Allows Easy Lifting and Movement

Transport Cart

Simple, 1-Person Movement Over Most Surfaces

Liquid Drainage Port

Easy Removal of Liquefied Gas or Wash-Out Reagent

Gas Treatment Connection Port

Routes Internal Atmosphere to Sampling/Treatment Sys-

Elastomeric Cylinder Cushion

Cushions and Stabilizes Cylinders Inside Overpack

Externally Mounted Pressure Gauge

Allows Monitoring of Pressure Inside Overpack

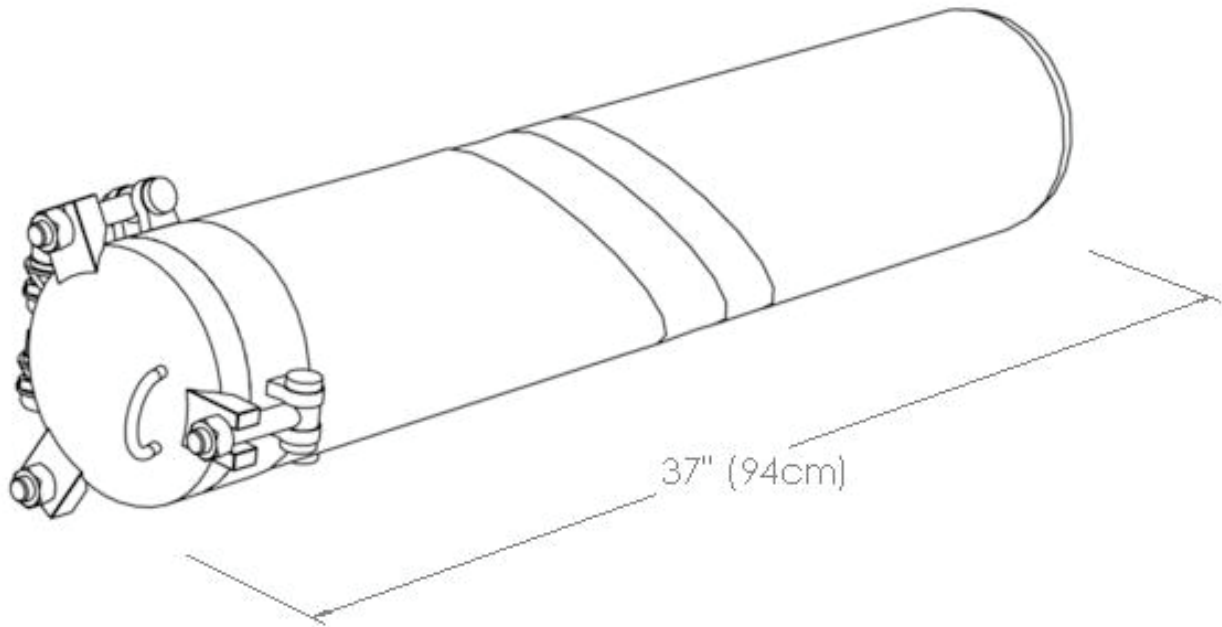
Rugged Epoxy Coating

Resists Weathering and Wear From Use

Protective Cover

Protects System From Moisture and Dust During Stor-

*except acetylene



ECO LP-6 Pressure Vessel Specifics

Overall Length 37" (0.9398 m)	Working Pressure 510 psig" (35 bar)	Internal Volume 0.54 ft ³ (0.015 m ³)
Diameter (int) 5.625" (142 mm)	Hydrotest Pressure 663 psig" (46 bar)	Weight 65 lbs (29 kg)



**PRECISION
TECHNIK**

1445 Marietta Boulevard
Atlanta, GA 30318

PHONE 404 693 8388
FAX 404 352-3070
EMAIL info@precisiontechnik.com

www.precisiontechnik.com