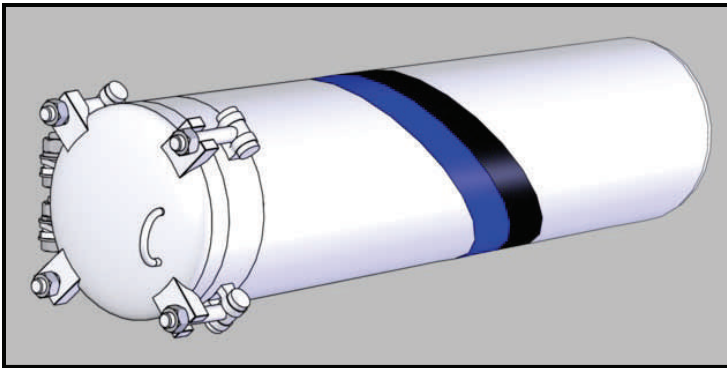


# ECO LP-8 Transport Overpack



*(Shown without transport)*

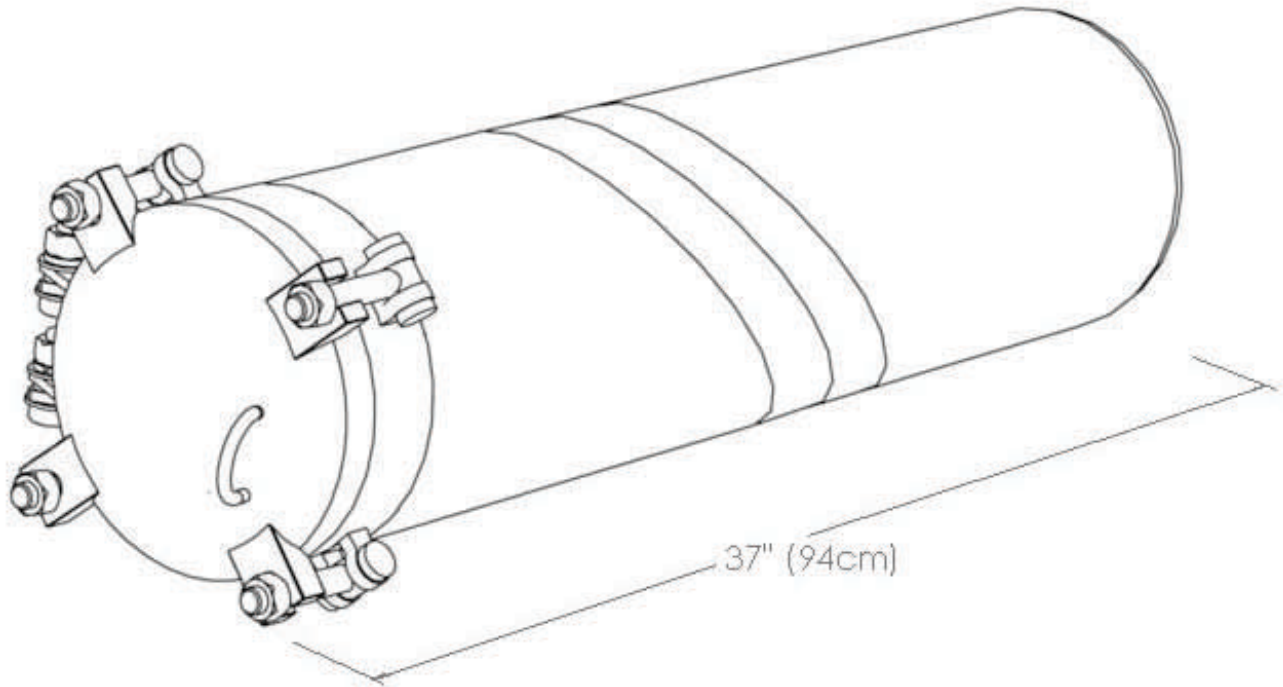
The ECO LP-8 is a DOT-exempt salvage cylinder for transport or storage of leaking, damaged, or deteriorated compressed gas cylinders. The unit was designed to address the special transport needs of smaller cylinders containing specialty and semi-conductor gases. Fabricated of carbon steel to ASME Section VIII Division 1 standards, the vessel has a working pressure of 390 psig. If higher pressure applications are needed, the LP-8 can be made to longer lengths to accommodate this. Gases released inside the salvage cylinder can be withdrawn via a side valve or bottom drain and either directed to an appropriate scrubber or repackaged. The ECO LP-8 vessel weighs 107 pounds and is mounted on a wheeled cart to facilitate its movement. It can be used for routine, secure transport of cylinders containing hazardous gases or in emergency response situations which demand rapid

## Features

## Benefits

DOT-Exempt for all Class 2,3,6.1 Materials*	Permits Legal Transportation of Wide Range of Chemi-
Rapid-Use, T-Bolt Closure	Seals and Secures Cylinder Inside Overpack Quickly
Working Pressure: 390 psig	Safely Accepts Cylinders up to 7.5" Diameter
Weight: 107 pounds (vessel)	Allows Easy Lifting and Movement
Transport Cart	Simple, 1-Person Movement Over Most Surfaces
Liquid Drainage Port	Easy Removal of Liquefied Gas or Wash-Out Reagent
Gas Treatment Connection Port	Routes Internal Atmosphere to Sampling/Treatment Sys-
Elastomeric Cylinder Cushion	Cushions and Stabilizes Cylinders Inside Overpack
Externally Mounted Pressure Gauge	Allows Monitoring of Pressure Inside Overpack
Rugged Epoxy Coating	Resists Weathering and Wear From Use
Protective Cover	Protects System From Moisture and Dust During Stor-

\*except acetylene



---

## ECO LP-8 Pressure Vessel Specifici-

Overall Length 37" (0.9398 m)	Working Pressure 390 psig" (27 bar)	Internal Volume 0.94 ft <sup>3</sup> (0.026 m <sup>3</sup> )
Diameter (int) 7.625" (193 mm)	Hydrotest Pressure 507 psig" (35 bar)	Weight 107 lbs (48.5 kg)



1445 Marietta Boulevard  
Atlanta, GA 30318

PHONE 404 693 8388  
FAX 404 352-3070  
EMAIL [info@precisiontechnik.com](mailto:info@precisiontechnik.com)

[www.precisiontechnik.com](http://www.precisiontechnik.com)